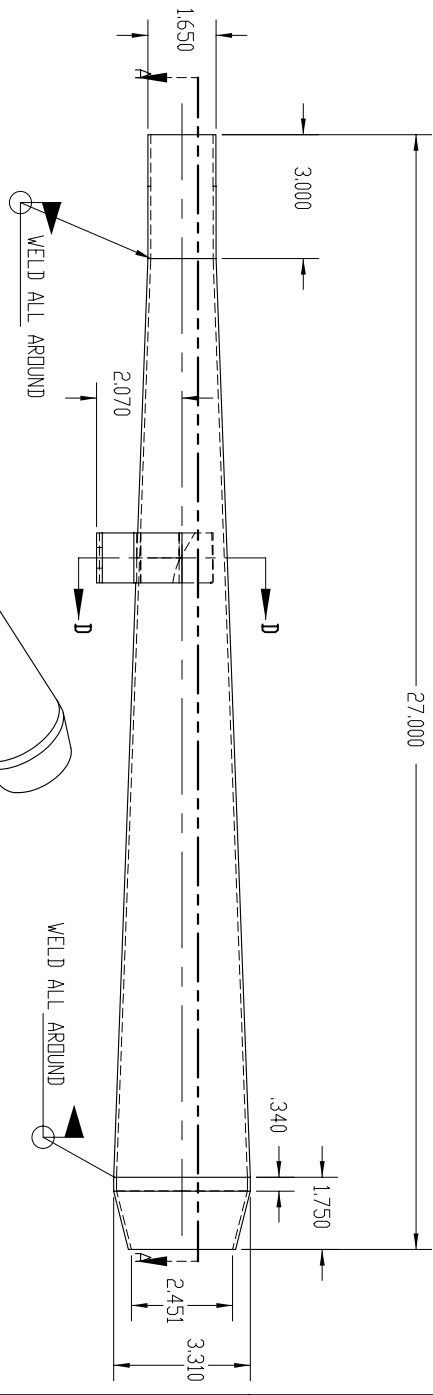
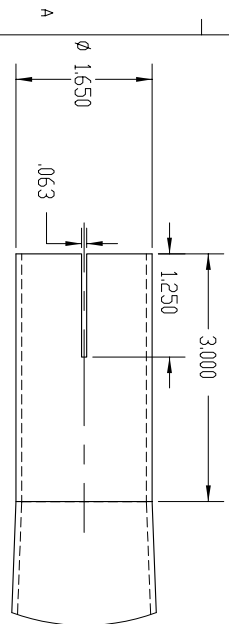
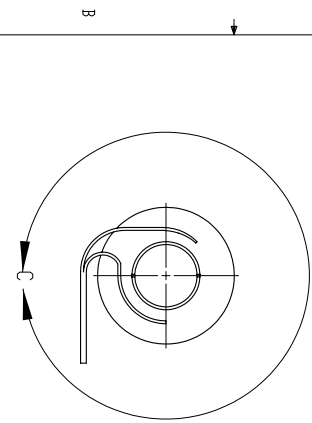
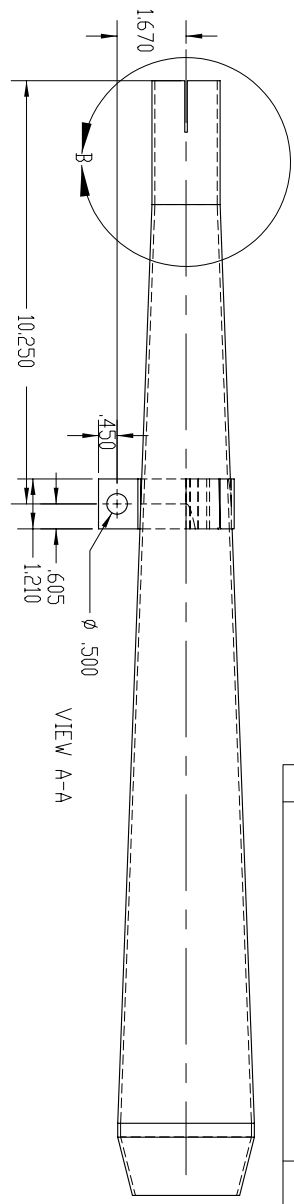
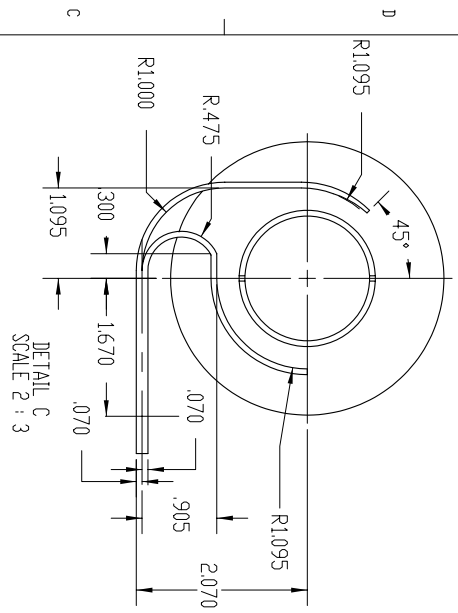


BRACKETS DETAILS
SEE DATUM PLANE "D-D"



- NOTES:
1- XX
2- XX



UNLESS OTHERWISE SPECIFIED
DIMENSIONS ARE IN INCHES
TOLERANCES ARE:
FRACTIONS DECIMALS ANGLES
± .005 ±.005 ±.005
MATERIAL
FINISH

APPROVALS		DATE
BROWN		
ENGR CHECK		
FIELD CHECK		
ISSUED		

		PROPRIETARY AND CONFIDENTIAL WWW.MOTOSCRUBS.COM	
MEGAPHONE SPECIFICATIONS			
SIZE	NO.	DWG. NO.	REV.
B	-	MEGA-1-S01	00
SCALE: 1:3	ENGR PROJECT #		SHEET 1 OF 1

PROTOTYPE		PRODUCTION		REVISIONS		DATE	APPROVED
<input checked="" type="checkbox"/>	<input type="checkbox"/>	REV.	DESCRIPTION	DATE			
00	NEW ISSUE	04/28/11					